

NG 12

Aufnahmebohrung

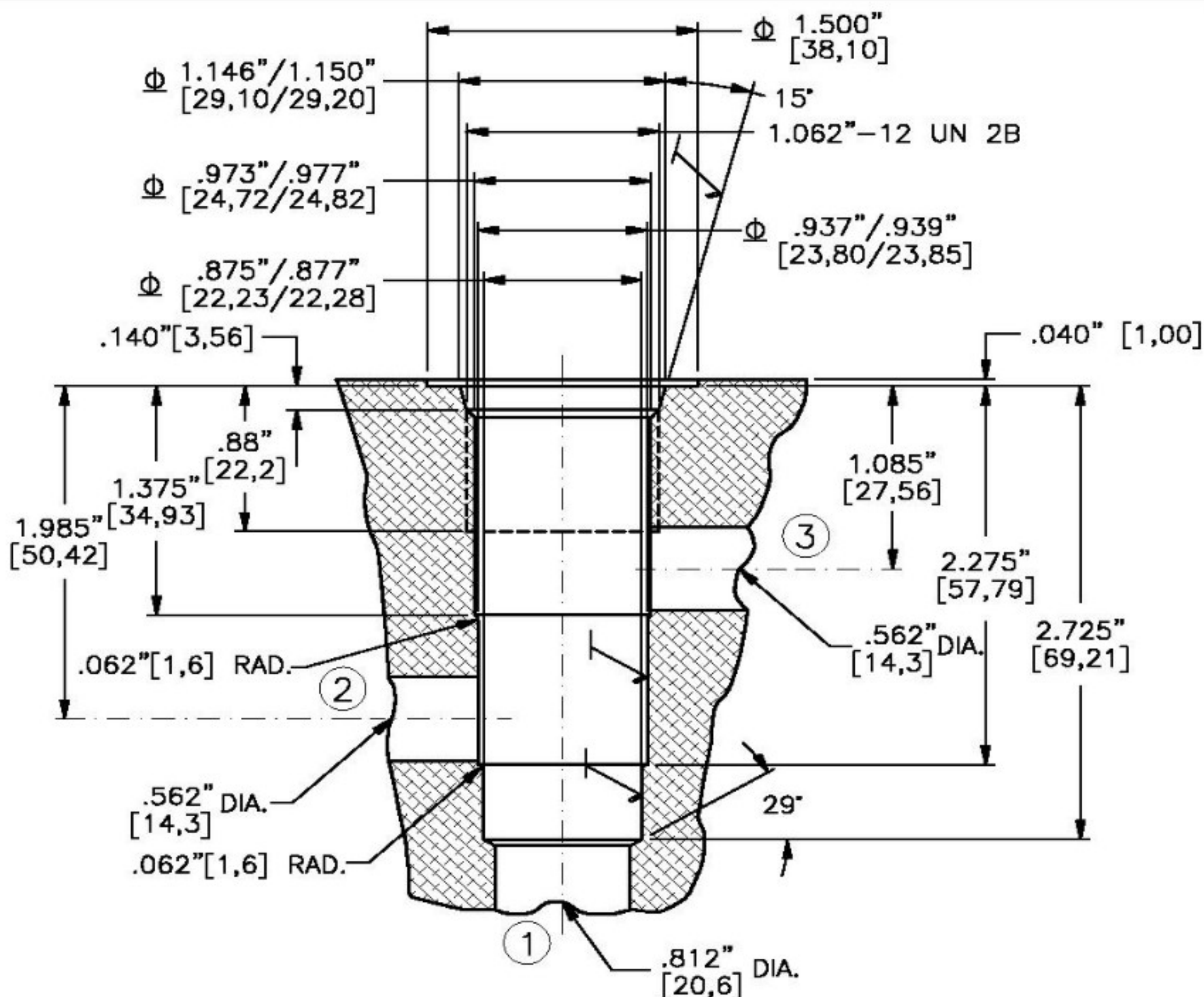


moHy GmbH
Röntgenstraße 4 · 63755 Alzenau
Tel. +49 60 23 - 320 01 70
Fax +49 60 23 - 320 01 66
Email: moHy@moHy.info
www.moHy.info



C1230

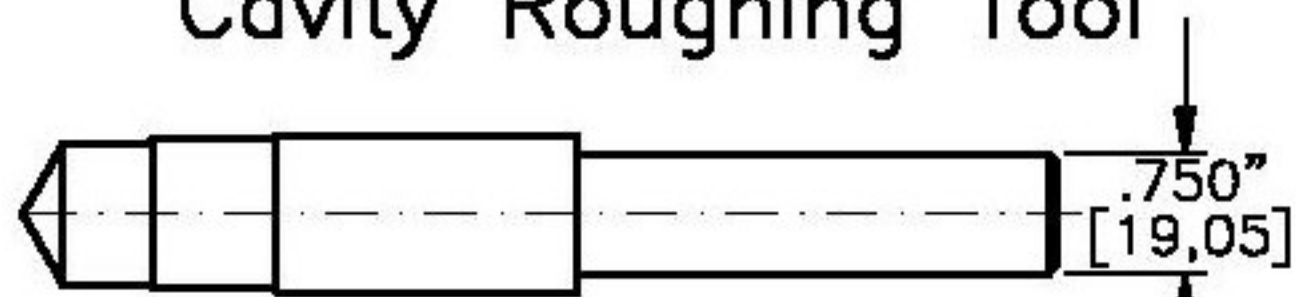
3-Wege



FINISH $\sqrt{}$ = 1,15m $\sqrt{}$ OR 45in $\sqrt{}$

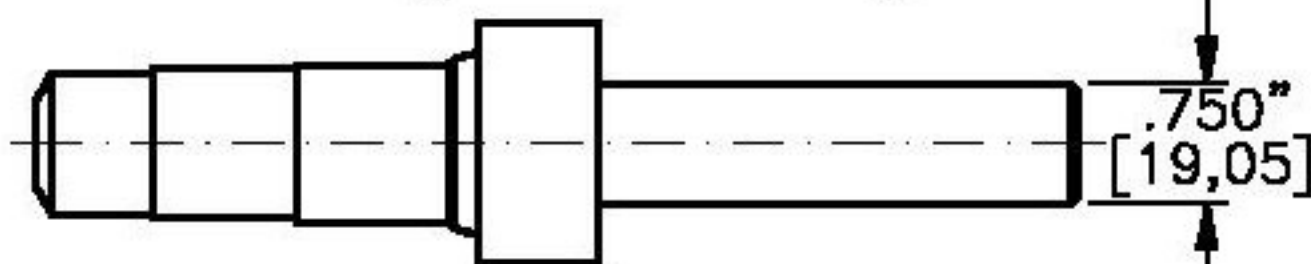
Beachten: mm-Angaben in []

Cavity Roughing Tool



TOOL NO.: T1230-R-H
MATERIAL: High Speed Steel

Cavity Finishing Tool



TOOL NO.: T1230-F-H
MATERIAL: High Speed Steel
TOOL NO.: T1230-F-C
MATERIAL: Tungsten Carbide Tipped