

NG 16

Aufnahmebohrung

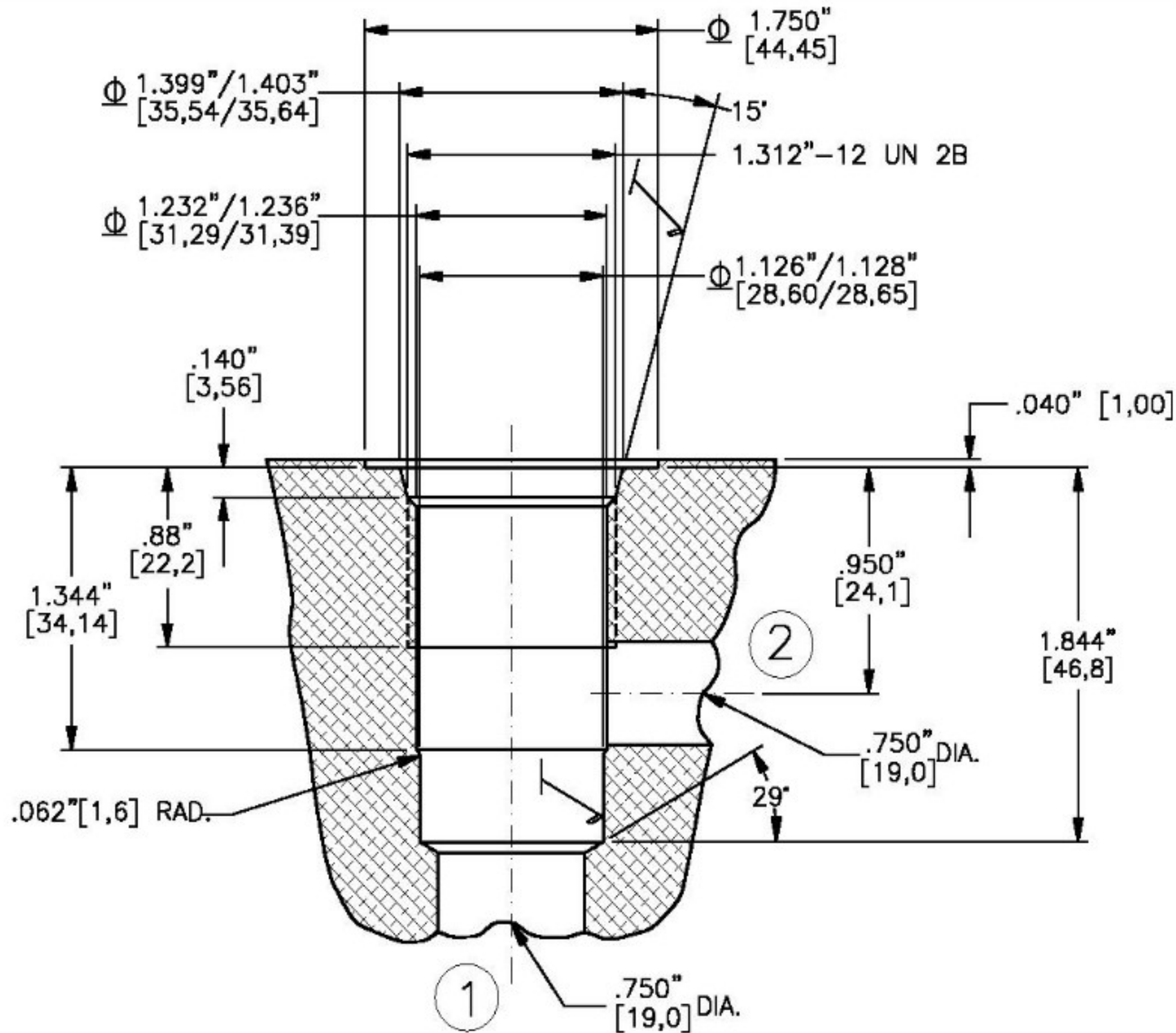


moHy GmbH
Röntgenstraße 4 · 63755 Alzenau
Tel. +49 60 23 - 320 01 70
Fax +49 60 23 - 320 01 66
Email: moHy@moHy.info
www.moHy.info



C1620

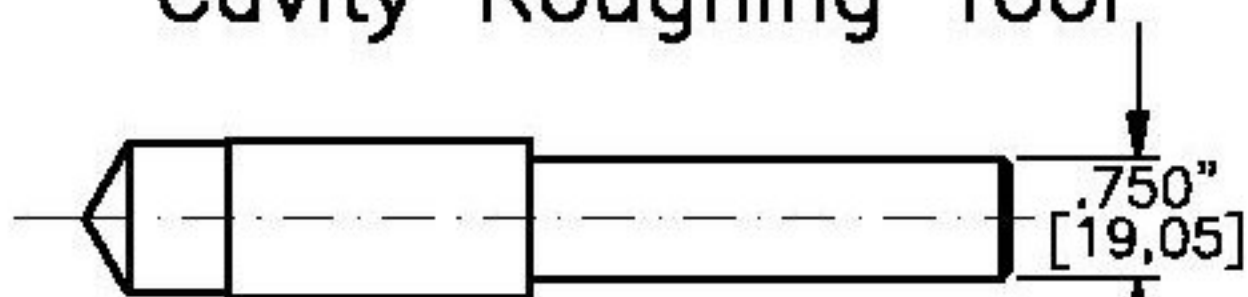
2-Wege



FINISH $\sqrt{\quad} = 1,15m \sqrt{\quad}$ OR $45in \sqrt{\quad}$

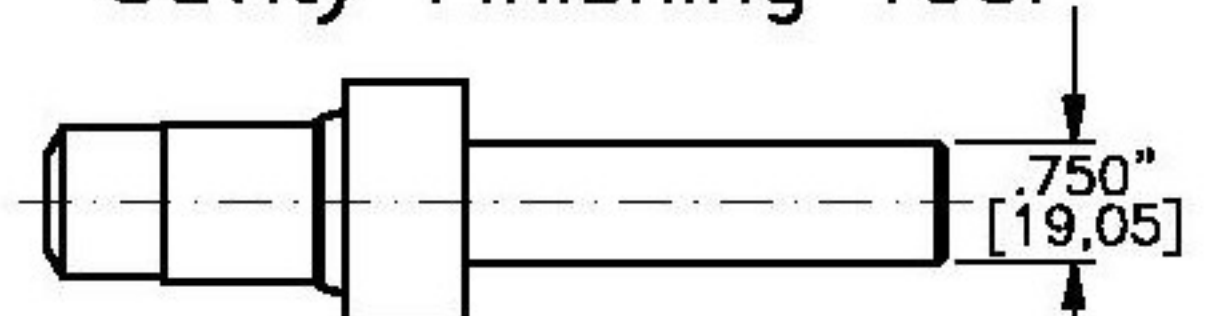
Beachten: mm-Angaben in []

Cavity Roughing Tool



TOOL NO.: T1620-R-H
MATERIAL: High Speed Steel

Cavity Finishing Tool



TOOL NO.: T1620-F-H
MATERIAL: High Speed Steel
TOOL NO.: T1620-F-C
MATERIAL: Tungston Carbide Tipped